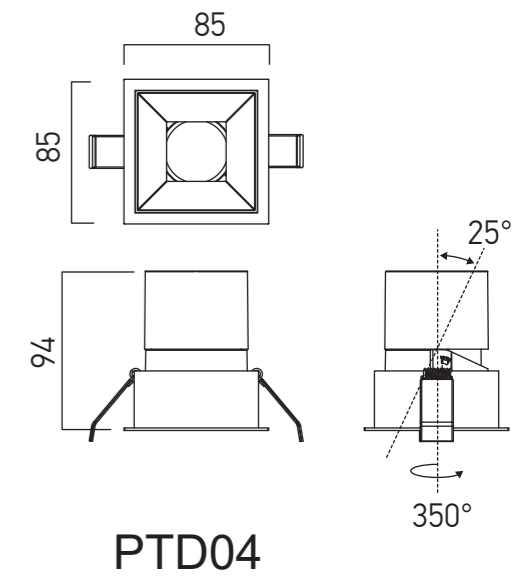
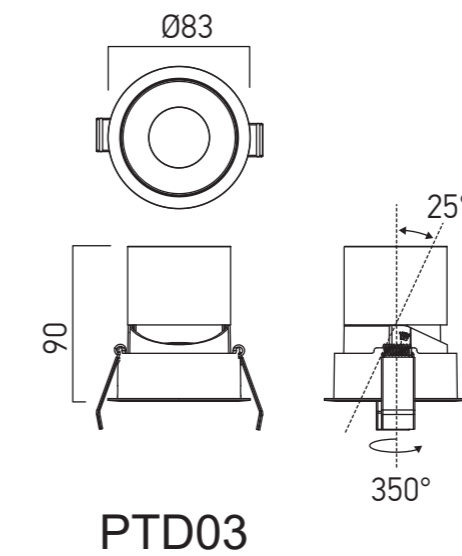
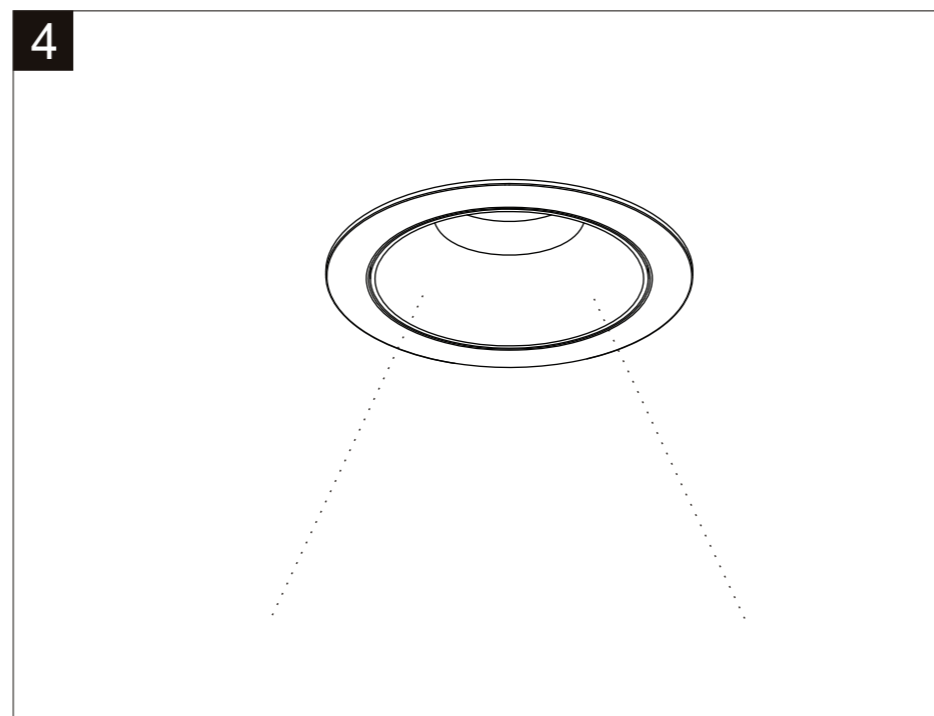
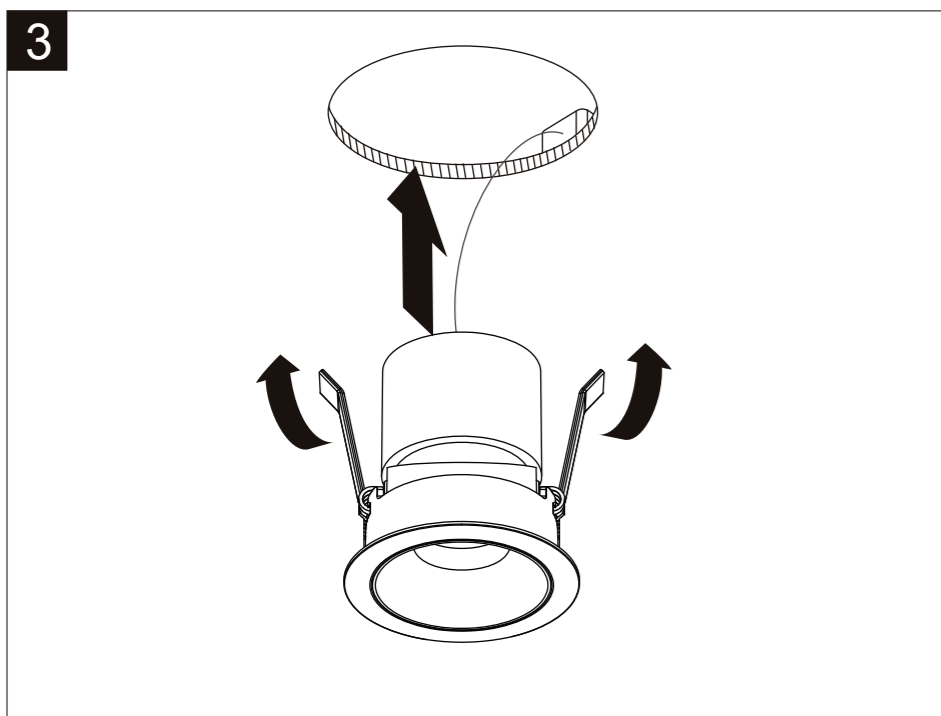
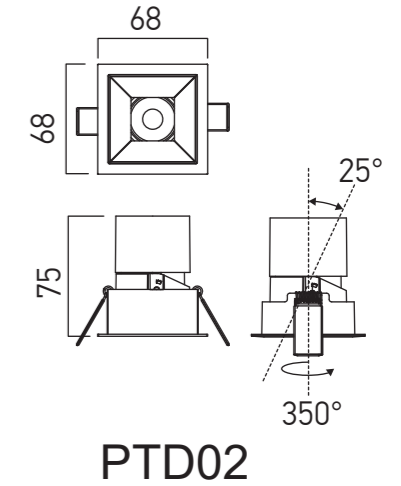
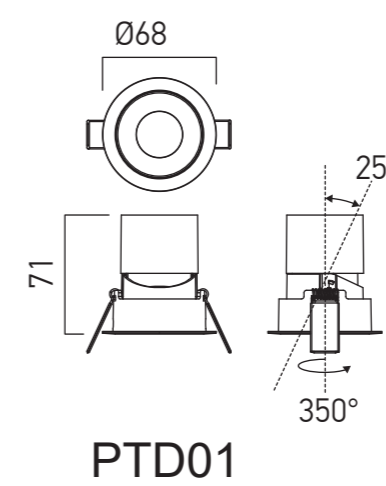
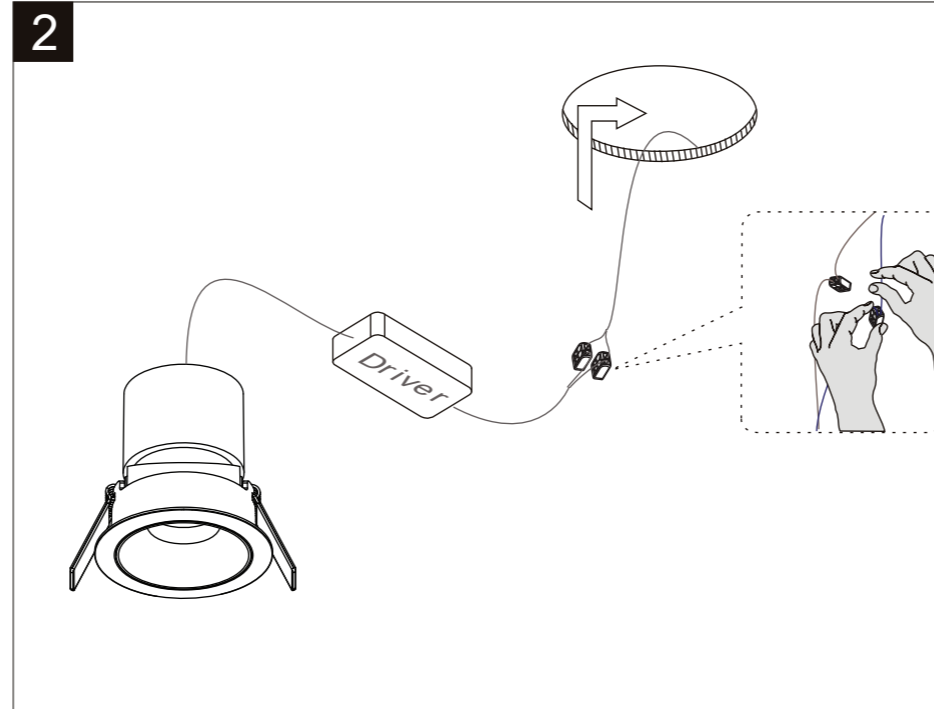
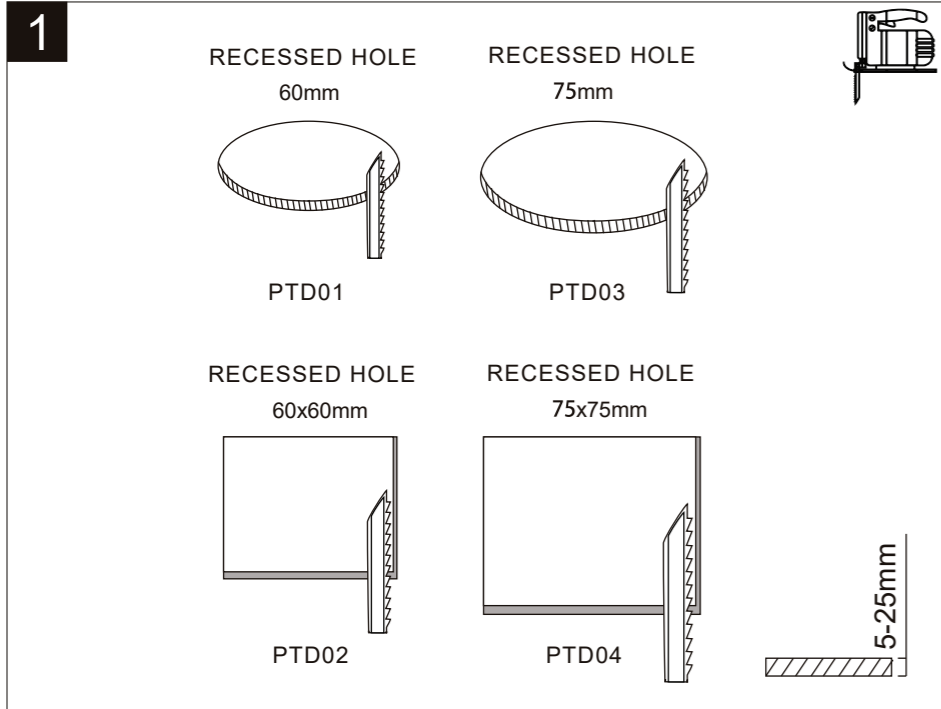




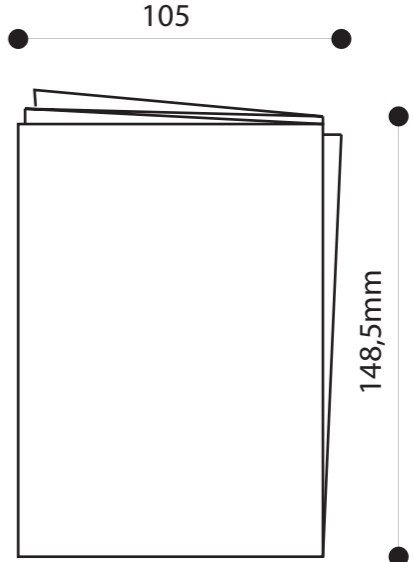
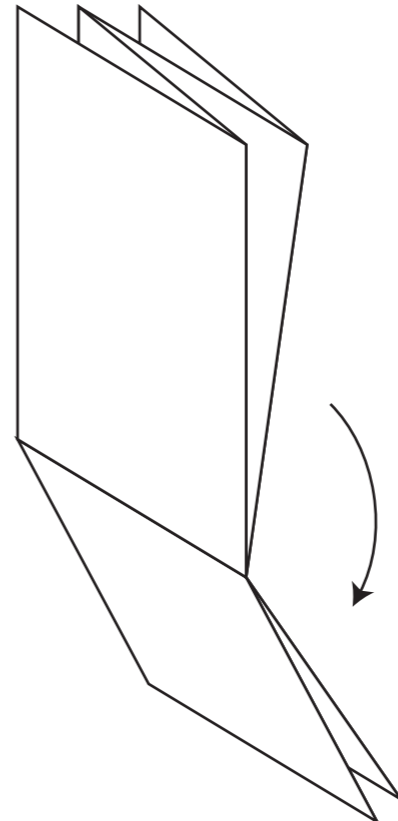
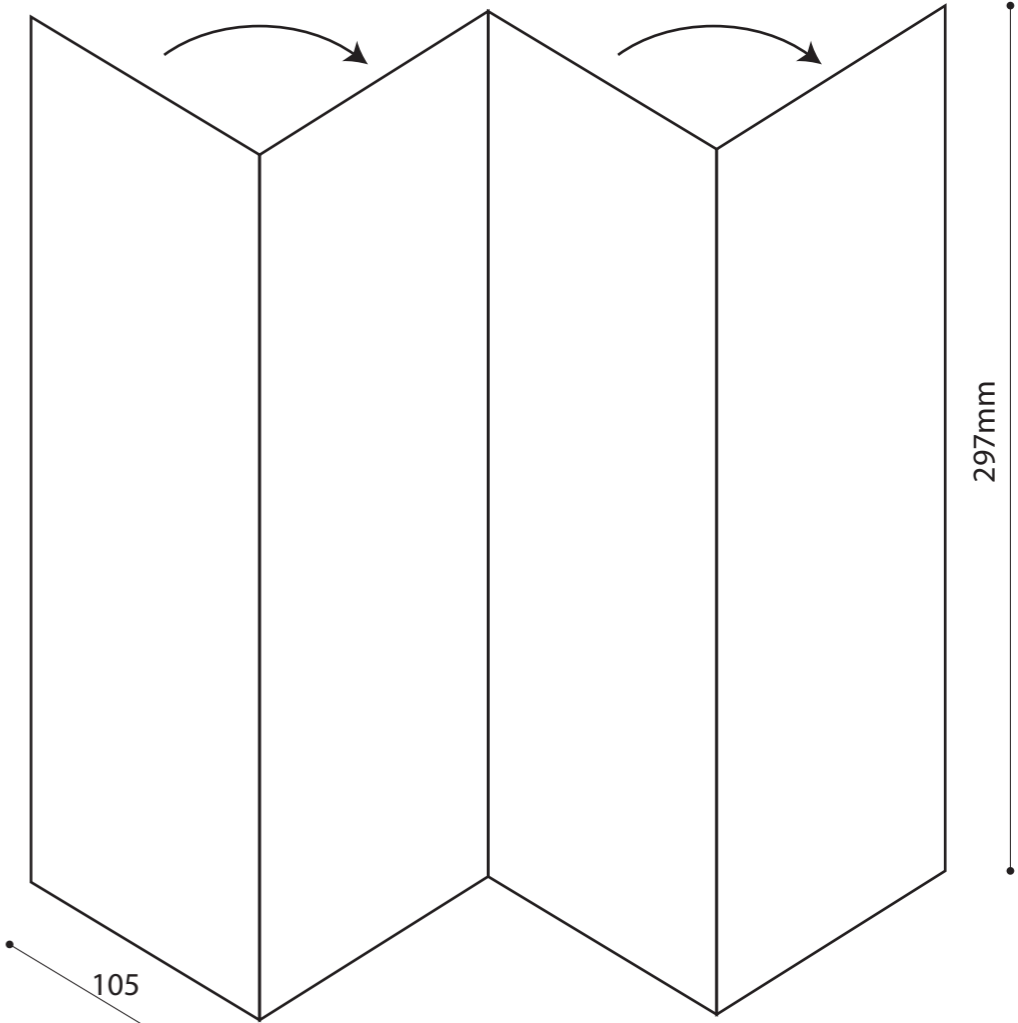
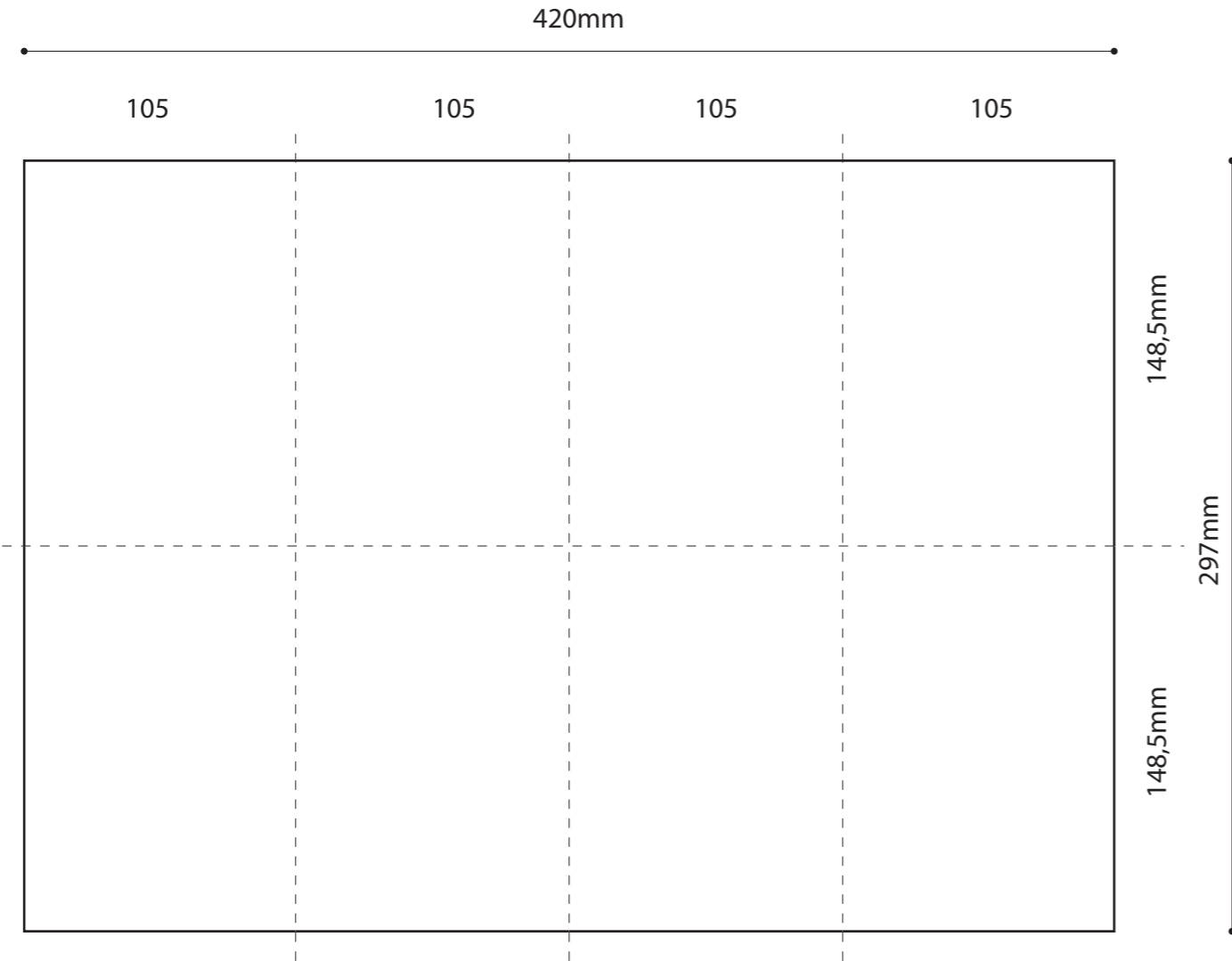
**TECHNICAL FEATURES**

Code	Type of LED	Power P(W)	Input voltage (V)	Color temperature of LED	Working temperature	Dimension of recessed hole Ø (mm)	Weight (kg)	Energy efficiency class
PTD01WW/NW SWH/SWH / SWH/SBK / SBK/SBK	COB	6,8W	220-240V AC	3000K / 4000K	-20 ÷ +40 °C	Ø60 mm	0,39 kg	F
PTD02WW/NW SWH/SWH / SWH/SBK / SBK/SBK	COB	6,8W	220-240V AC	3000K / 4000K	-20 ÷ +40 °C	60x60 mm	0,40 kg	F
PTD03WW/NW SWH/SWH / SWH/SBK / SBK/SBK	COB	12W	220-240V AC	3000K / 4000K	-20 ÷ +40 °C	Ø75 mm	0,41 kg	F
PTD04WW/NW SWH/SWH / SWH/SBK / SBK/SBK	COB	12W	220-240V AC	3000K / 4000K	-20 ÷ +40 °C	75x75 mm	0,42 kg	F



OPEN SIZE 420x297mm

CLOSED SIZE 105x148,5mm



PRINT: 1 color (black) front and back side